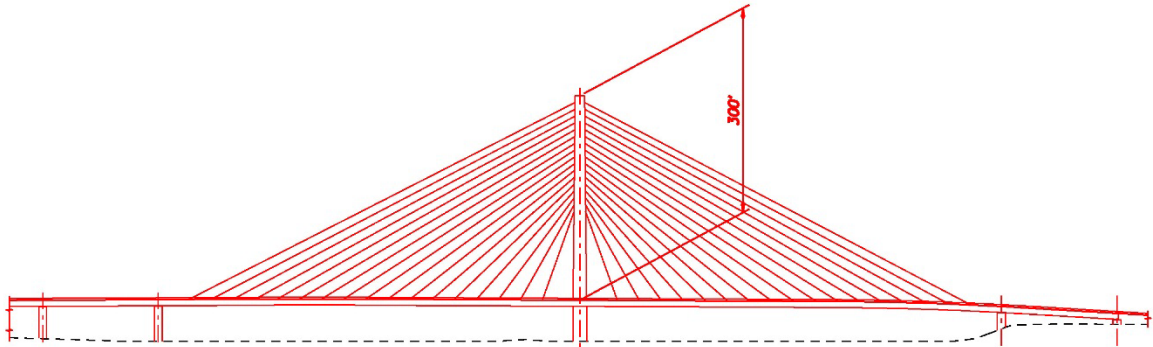
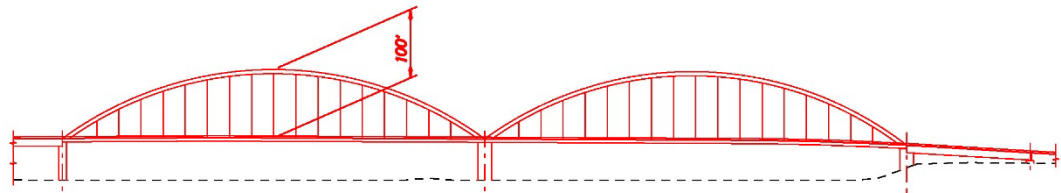


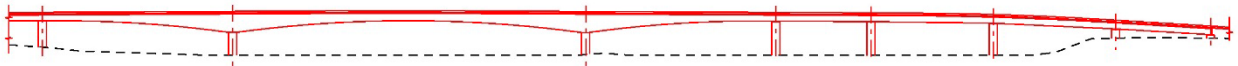
### Alternative 1 - Cable-Stayed



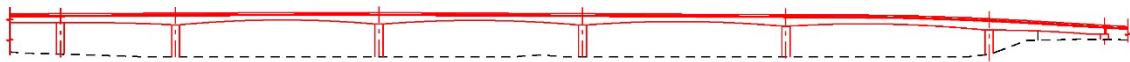
### Alternative 2 - Steel Tied Arch



### Alternative 3 - Cast-in-place Segmental Concrete Box Girder



### Alternatives 4a - Steel Girder or 4b - Segmental Precast Concrete Box



### Alternative 5 - Precast Concrete T-Girder

